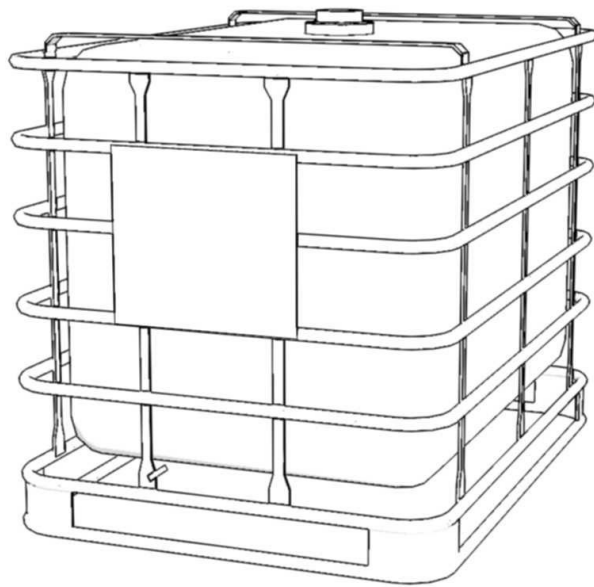
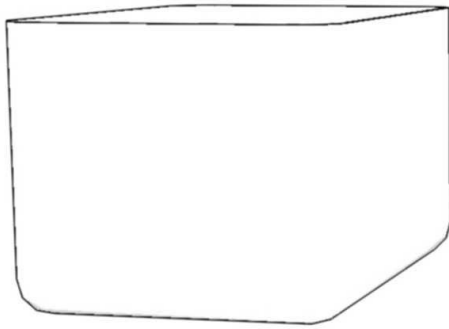


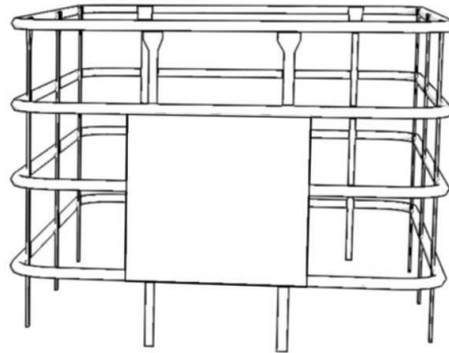
Aquaponics System



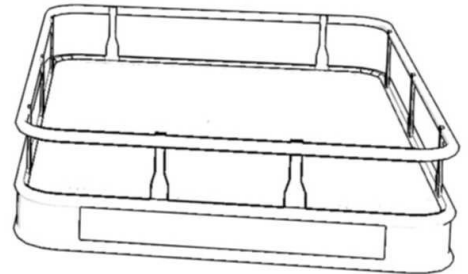
Removing top bars of the IBC



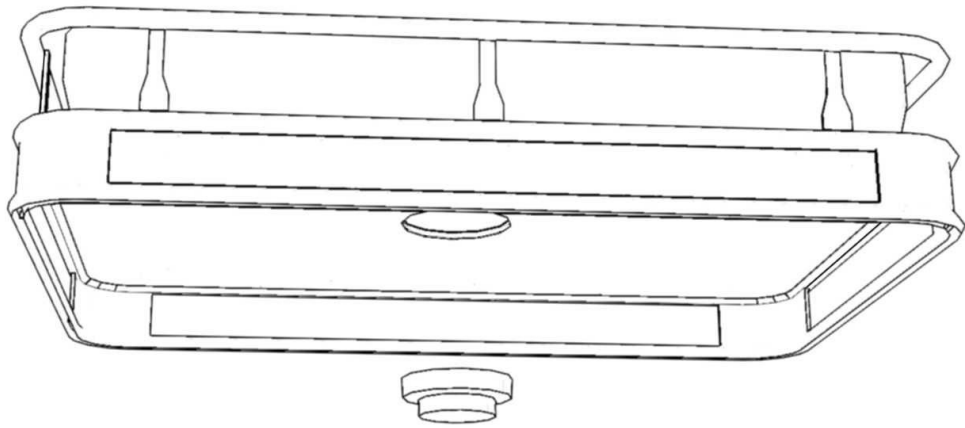
Cut the top of the IBC



Cut above the first bar of IBC



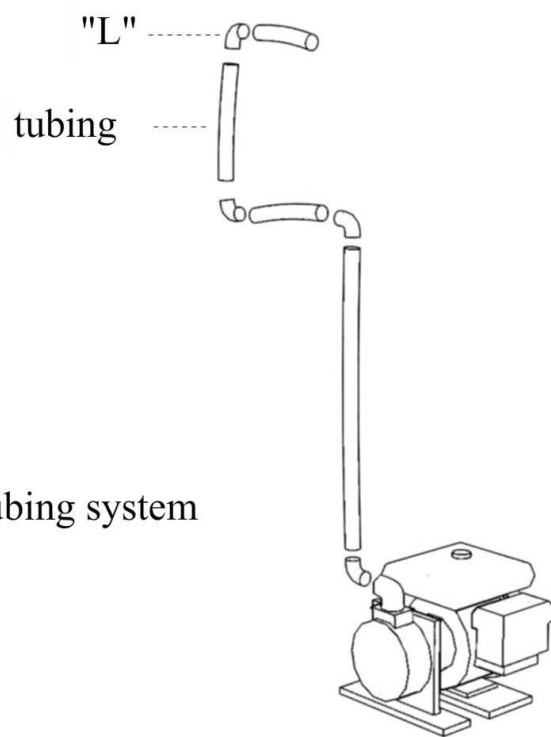
Cut drain pipe

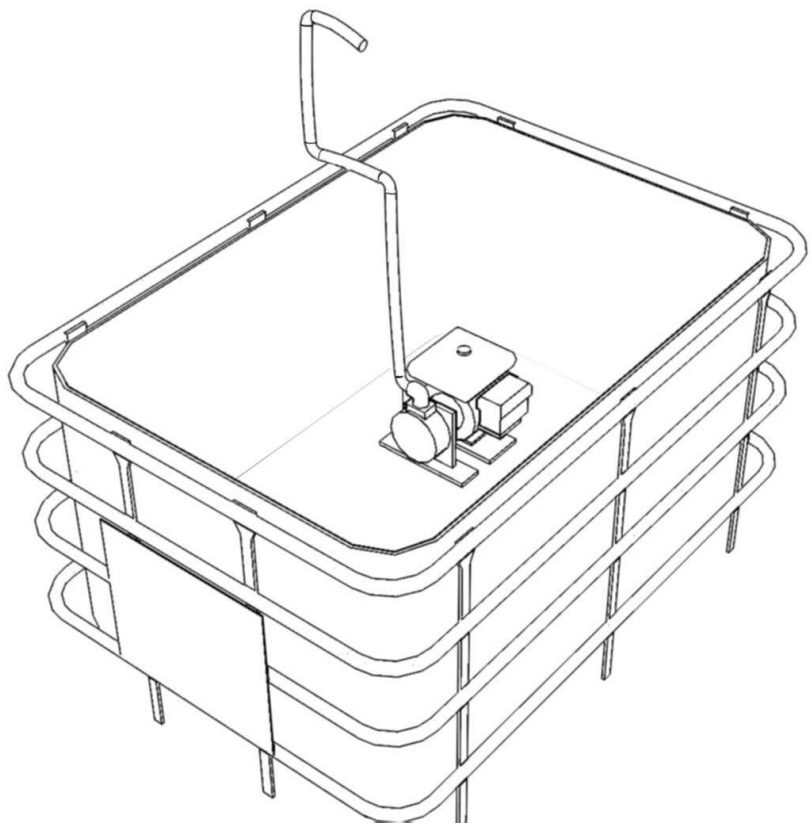


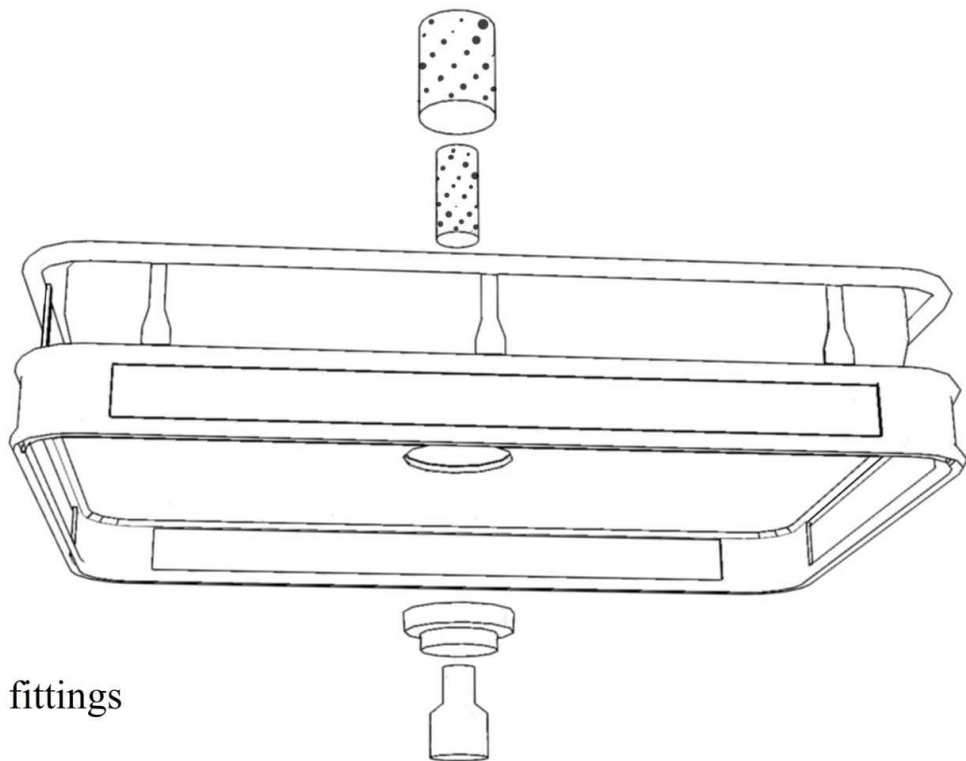


Place IBC in desired location

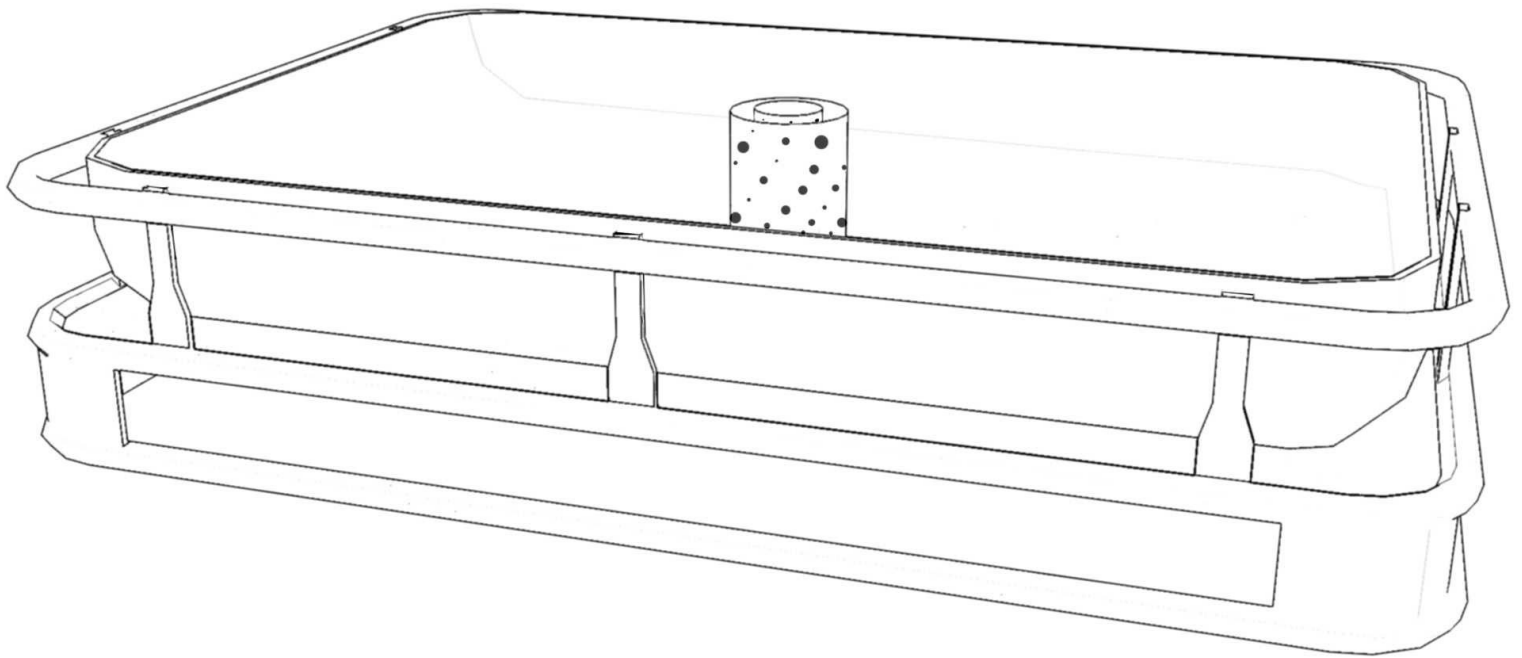
Install pump with tubing system

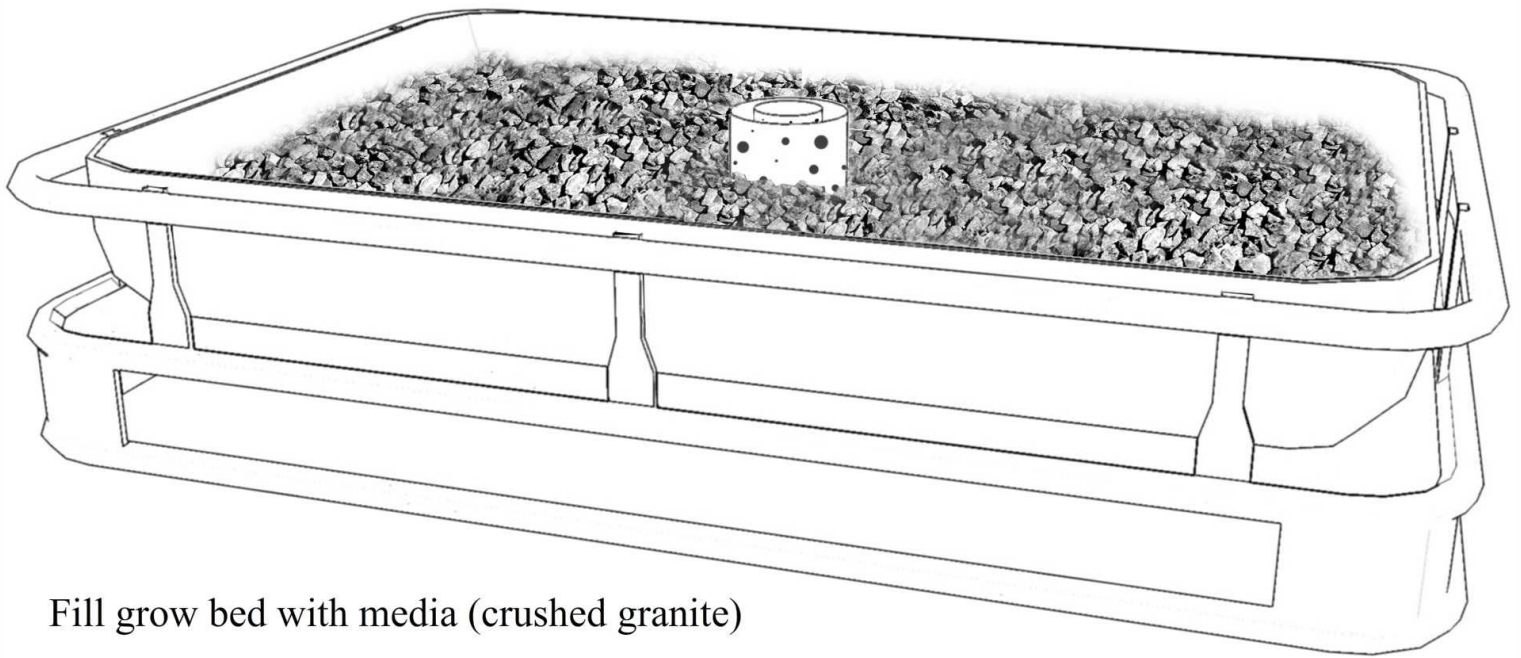




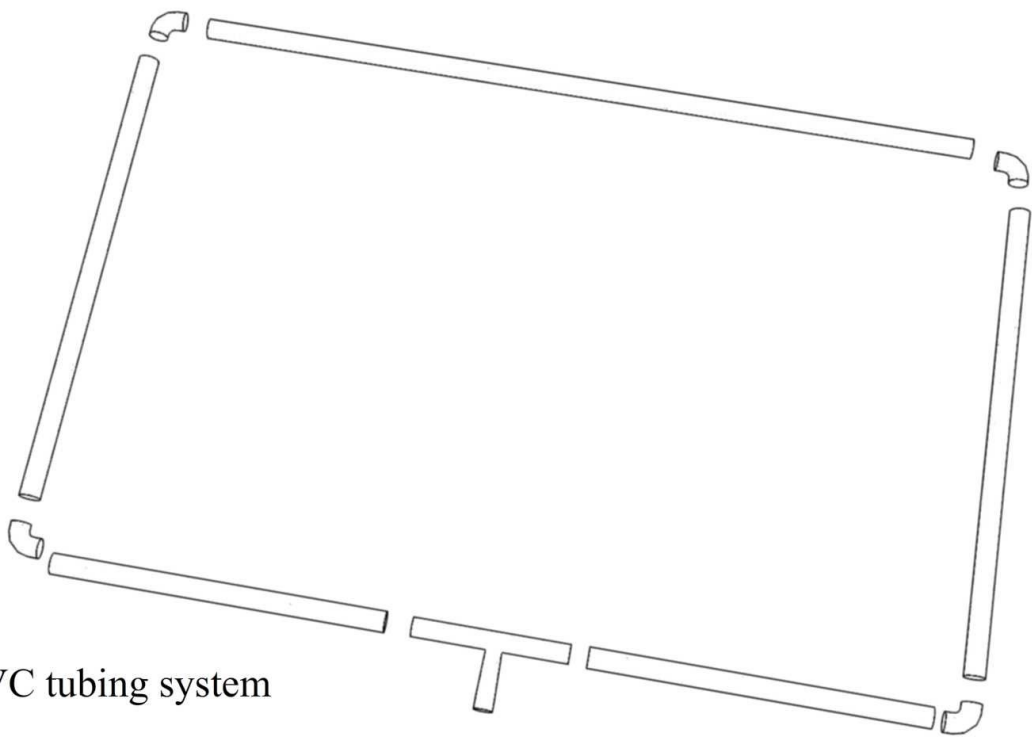


Connect PVC fittings





Fill grow bed with media (crushed granite)



Attach PVC tubing system

