

Planter Benjamin



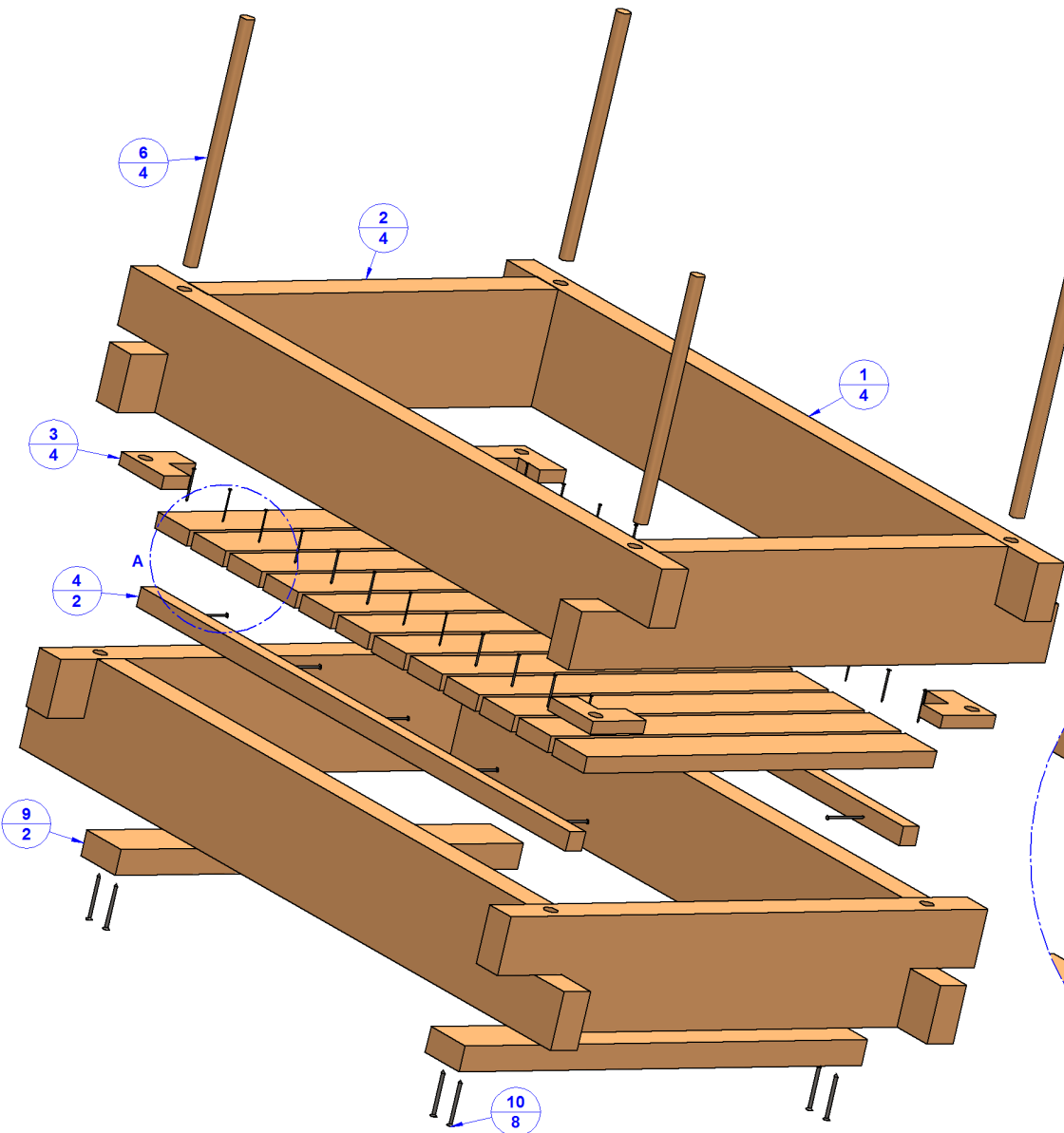
You can use many kinds of wood for making this Planter, but we recommend you to purchase some hard wood with nice texture like ash, beech, cedar, birch, maple, oak, pine, etc. If you are planning to paint the Planter, the texture of a selected wood is not important.

You can make this Planter by the measurements given in this project, but we recommend you to see what dimensions are right for your plant (by the measurements of the space you choose to put him to) and then adjust the whole project to proper dimensions. By this way, the Planter will perfectly fit to your own needs.

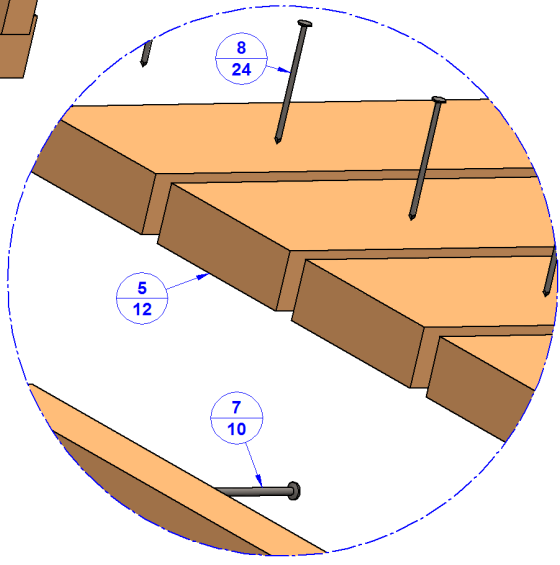
Make all the items precisely by the measurements given on particular 2D drawings. Pay special attention while drilling the holes (diameter D22m) on the Side Long (item 1) and Side Short (item 2).

The measurements are given in millimeters, and the measurements in inches are given in brackets (1 inch = 25, 4 mm).

Parts List

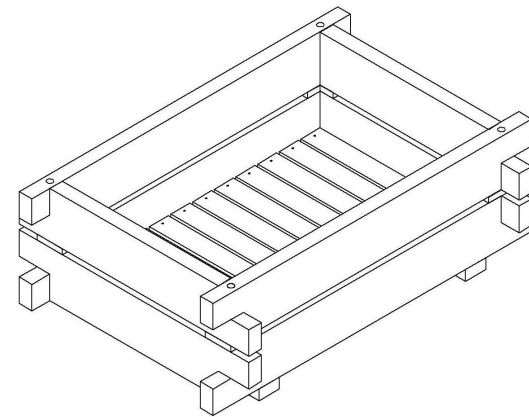
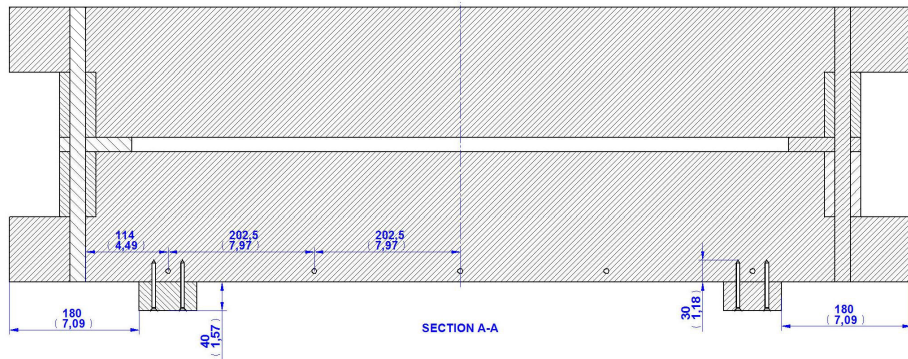
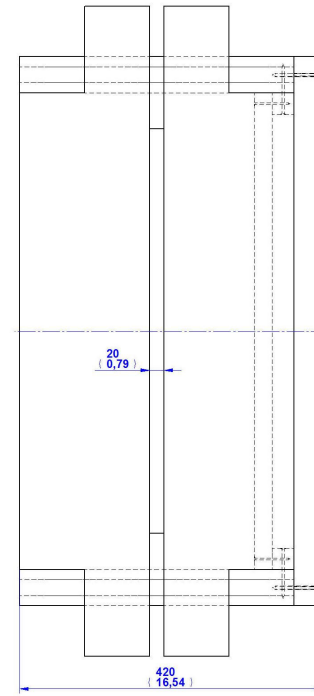
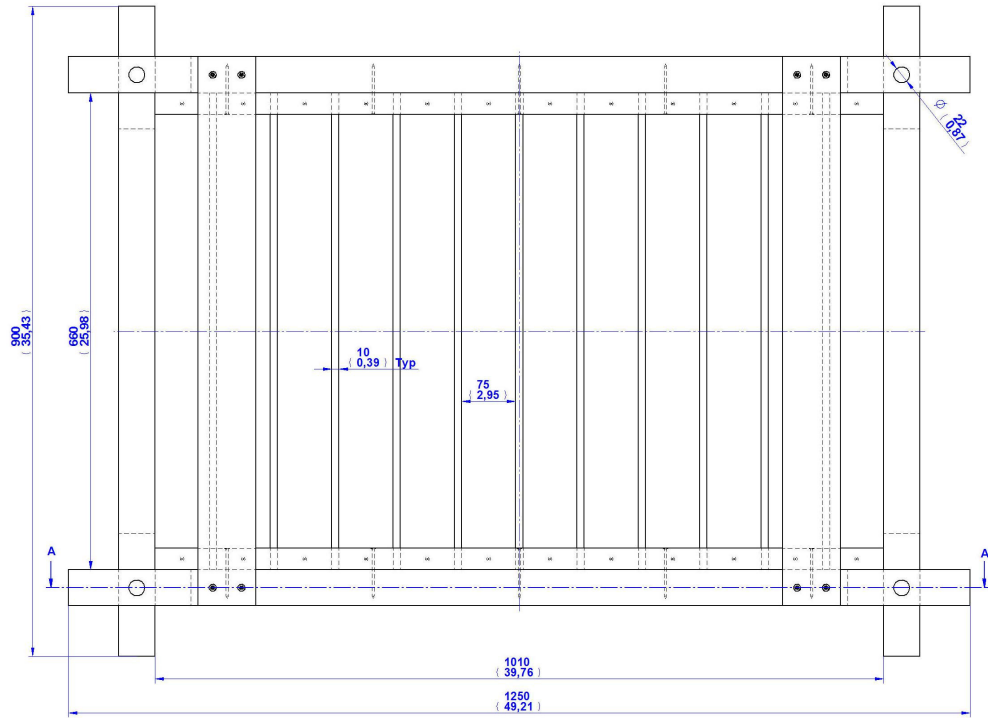


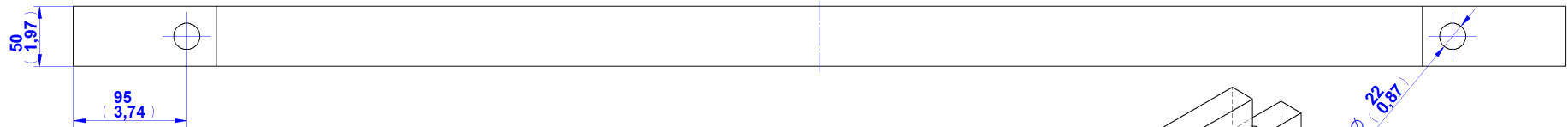
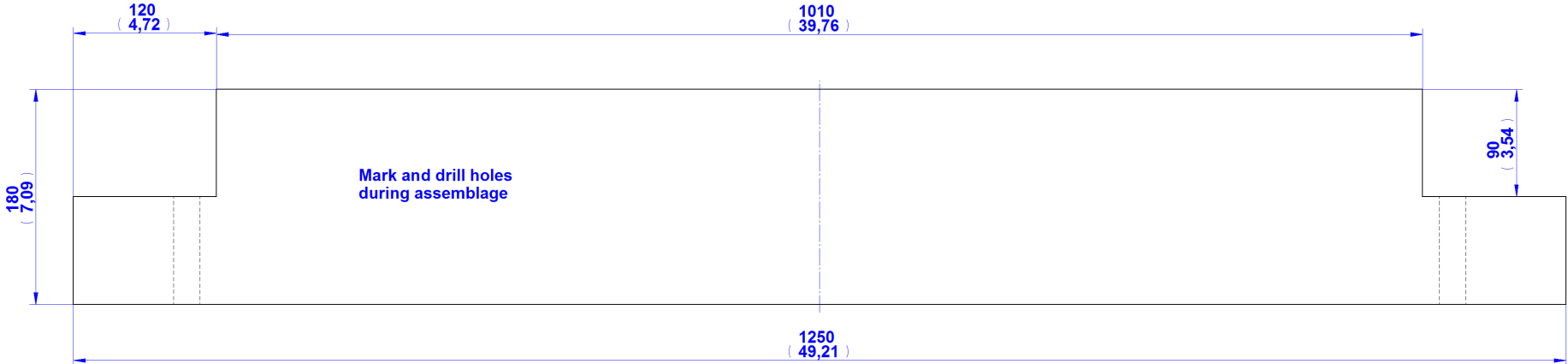
Item Number	Title	Material	Quantity	Category
1	Side Long	Wood	4	
2	Side Short	Wood	4	
3	Delimiter	Wood	4	
4	Crossbar	Wood	2	
5	Bottom Lath	Wood	12	
6	Pin	Wood	4	
7	Nail D3,1 x 70mm	Steel	10	Standard Part
8	Nail D2,2 x 50mm	Steel	24	Standard Part
9	Leg	Wood	2	
10	Wood Screw D5x70mm	Steel	8	Standard Part



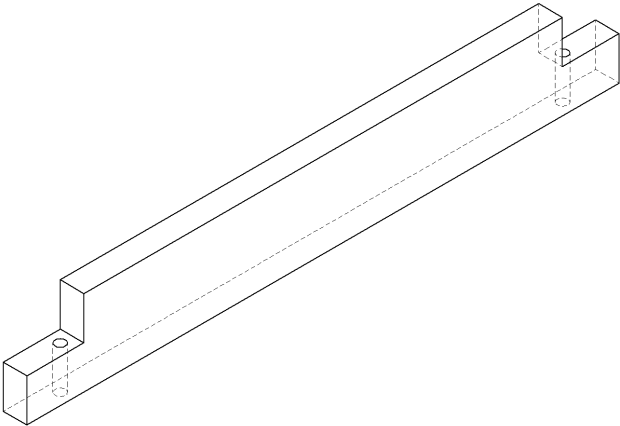
DETAIL A

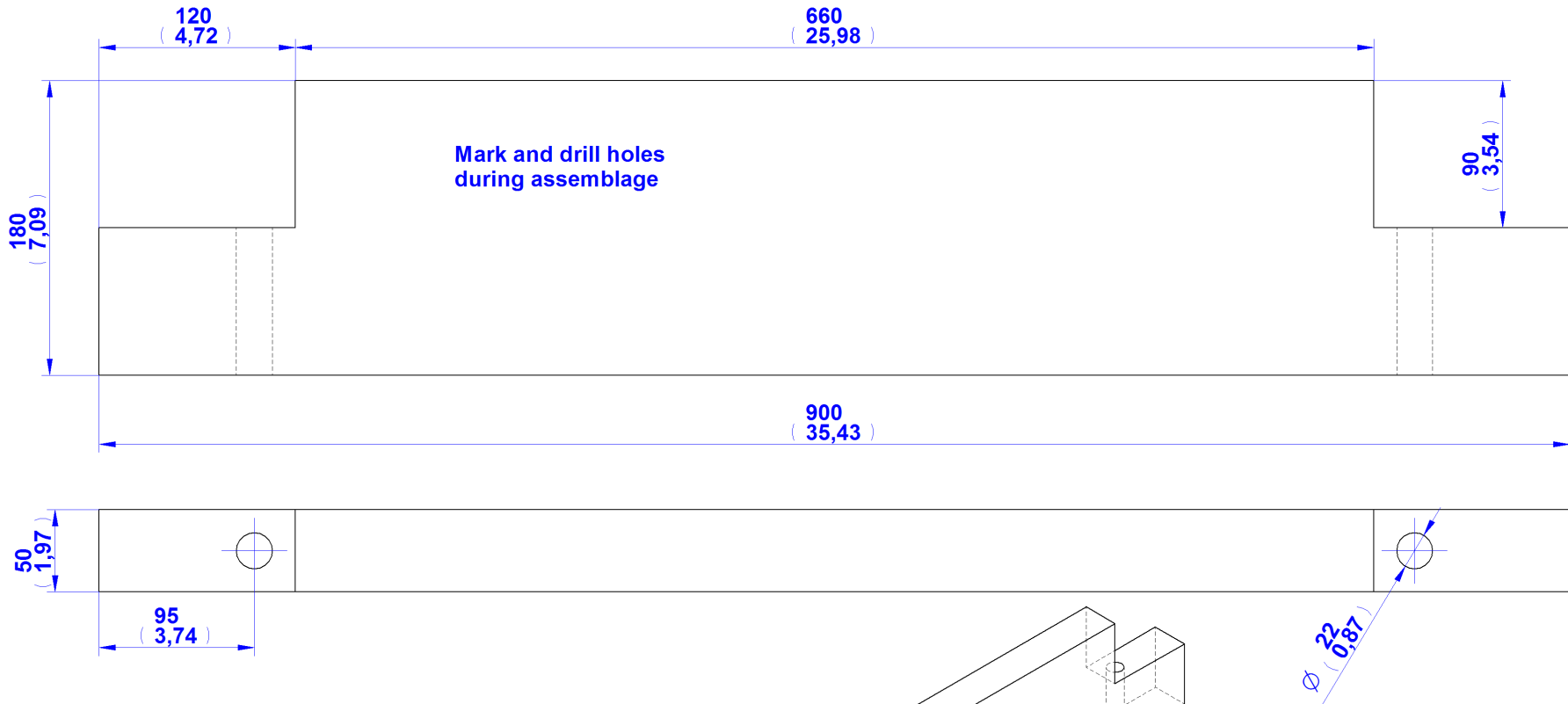
Assembly Drawing



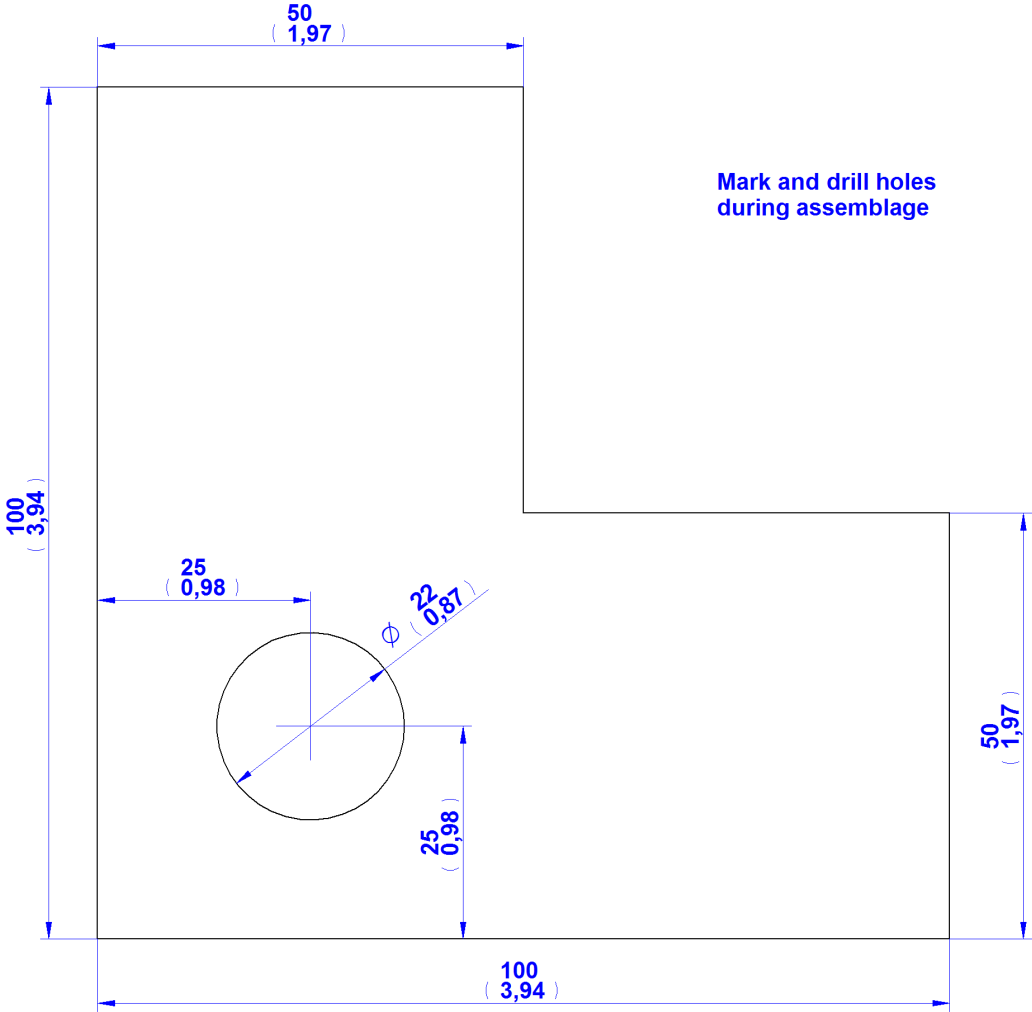


1. Side Long

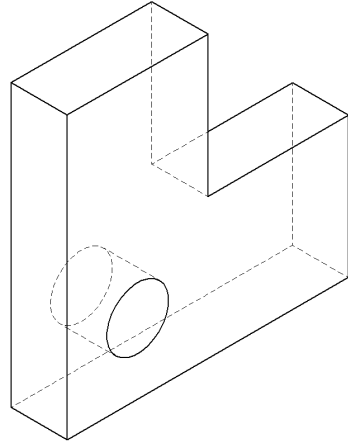
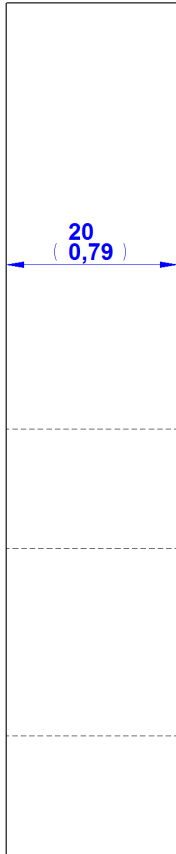




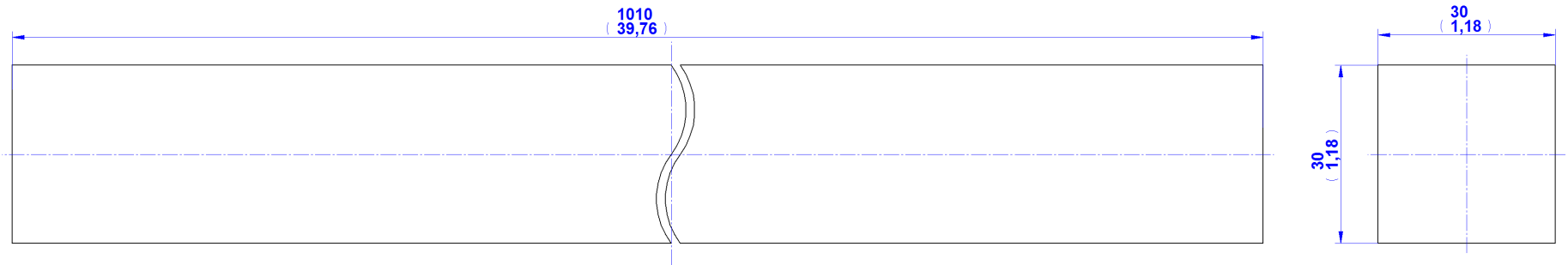
2. Side Short



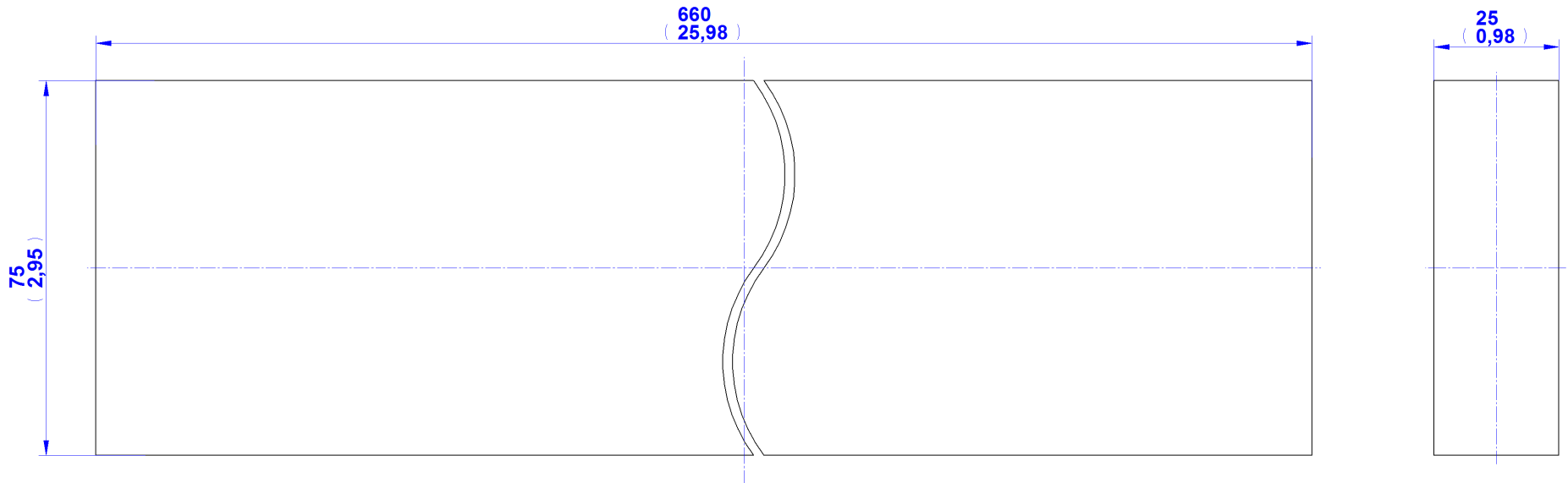
Mark and drill holes during assemblage



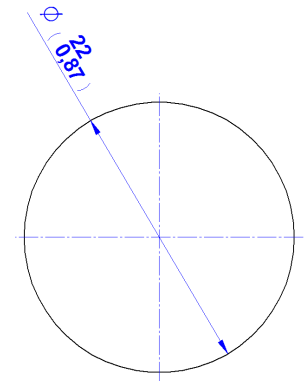
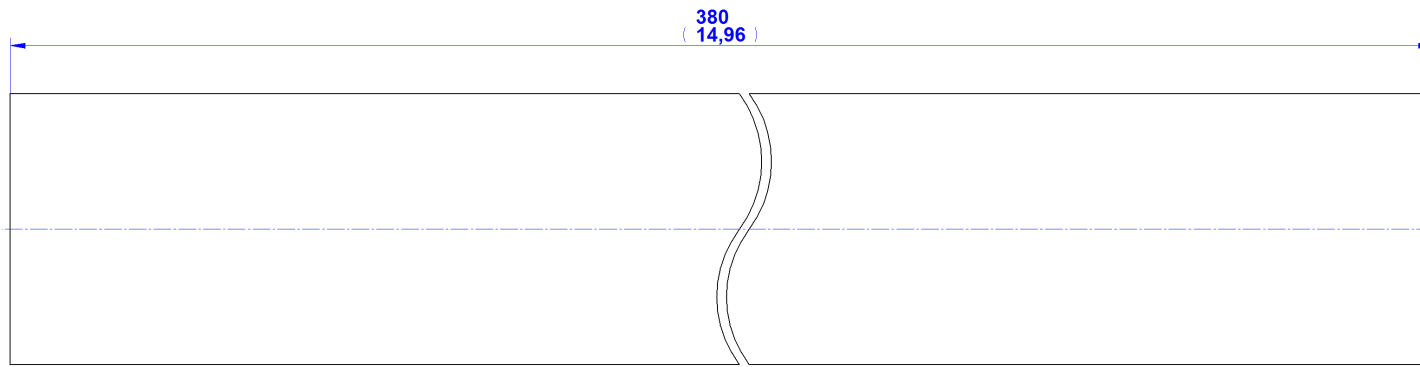
3. Delimiter



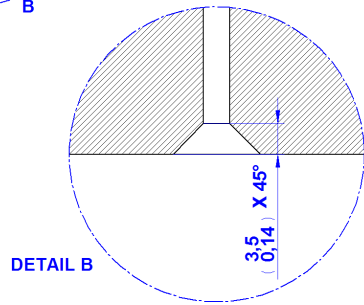
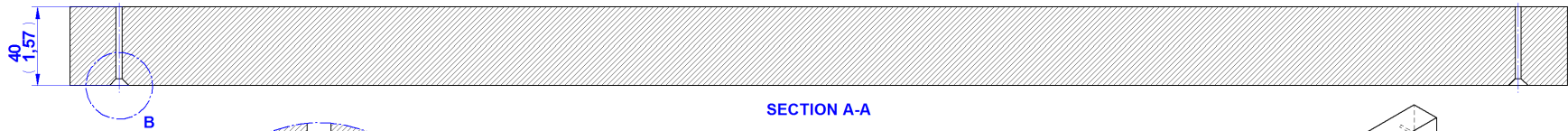
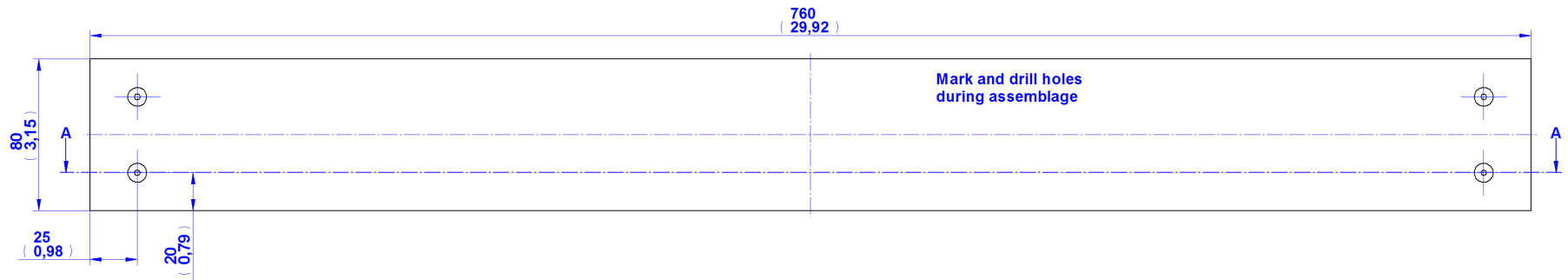
4. Crossbar



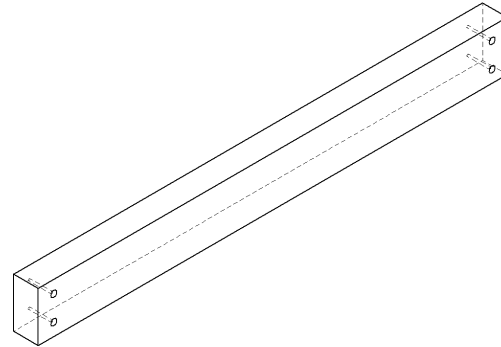
5. Bottom Lath

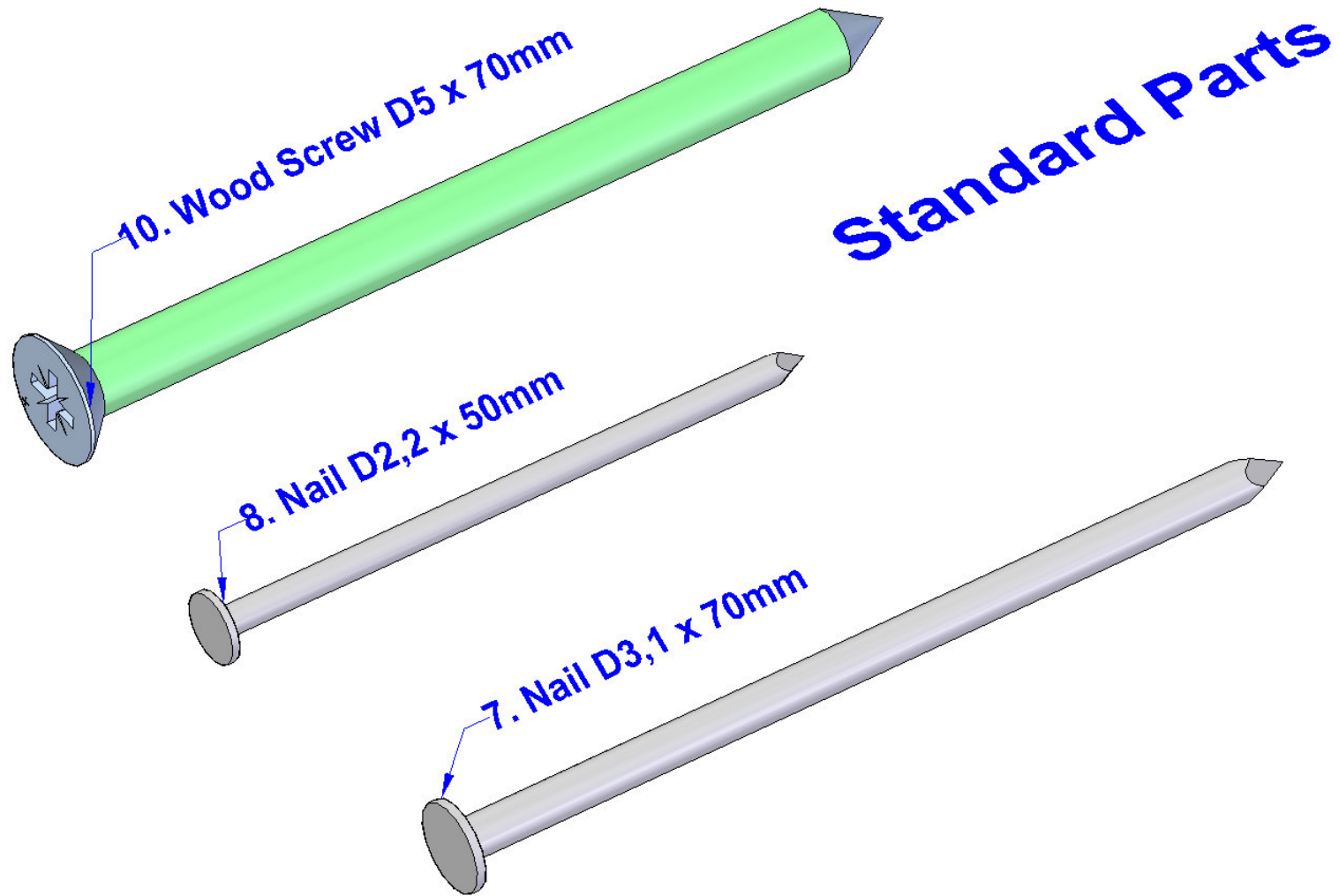


6. Pin



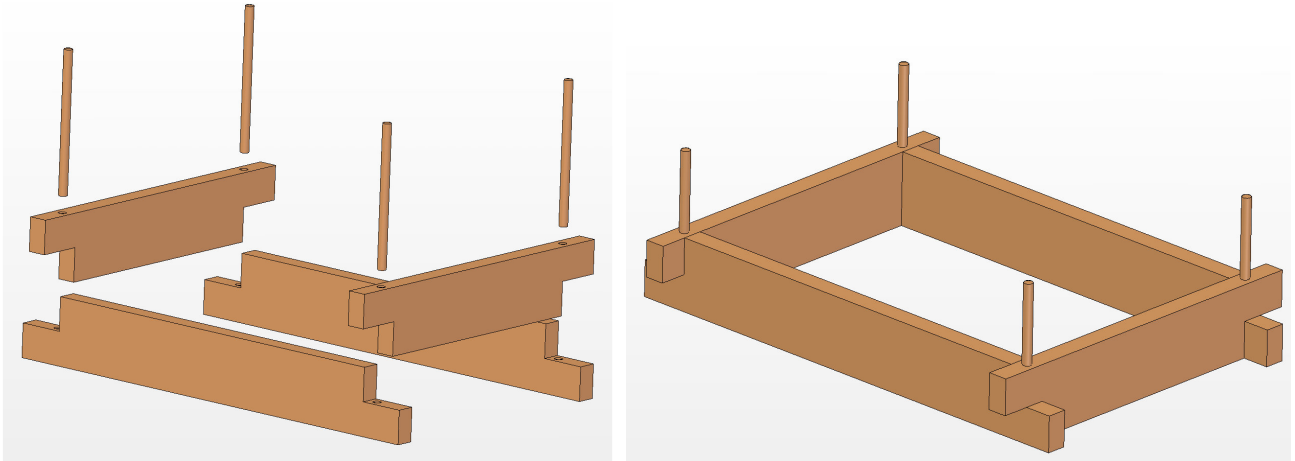
9. Leg



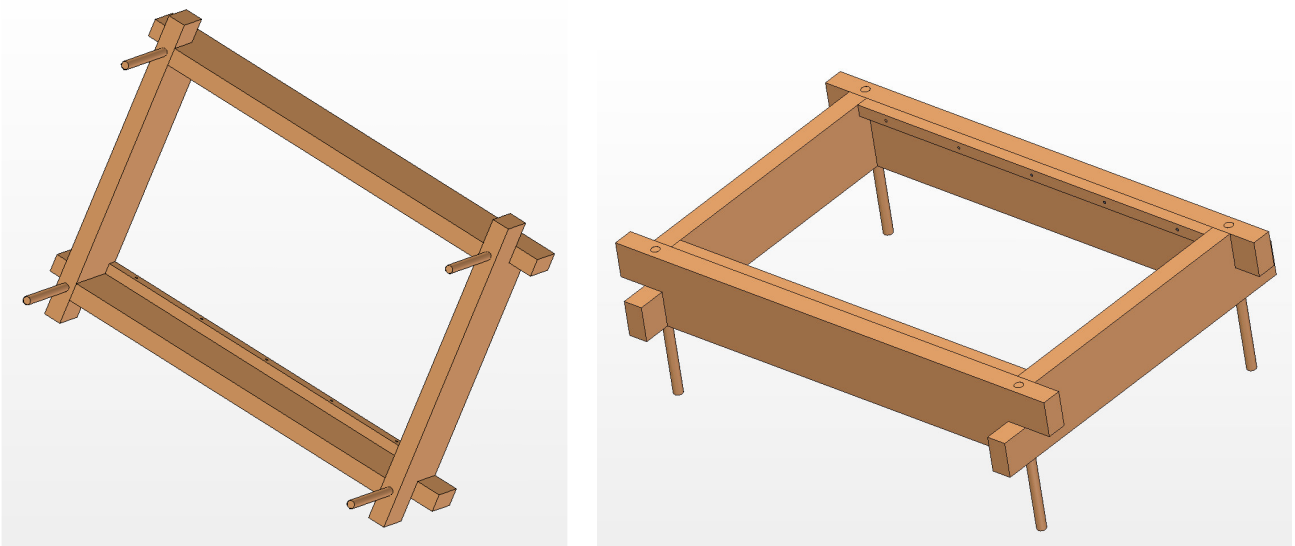
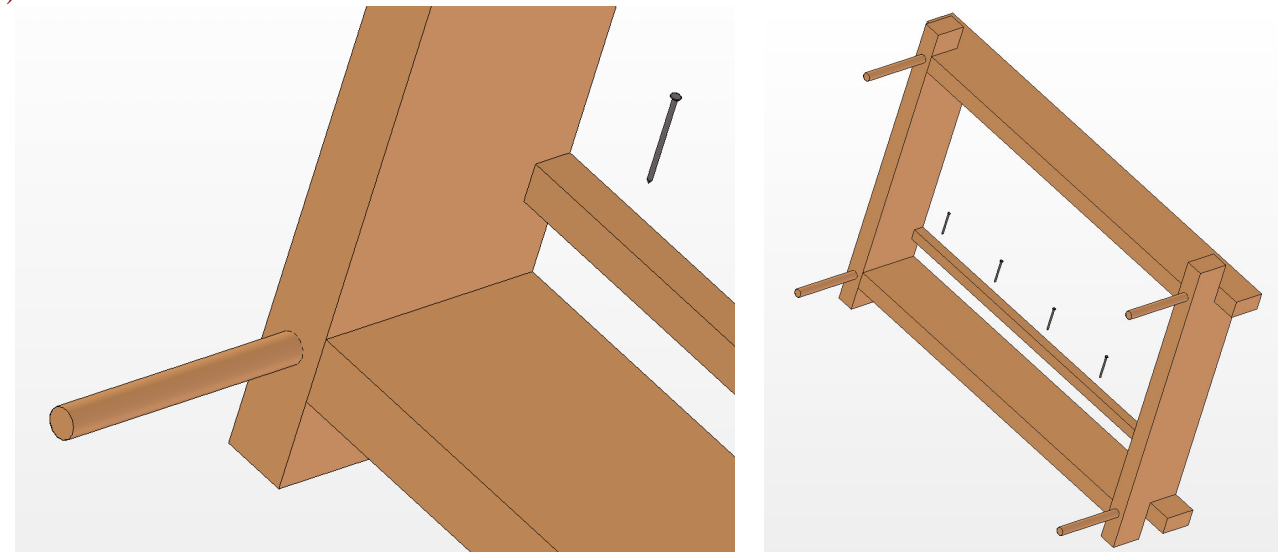


Assemblage Instruction

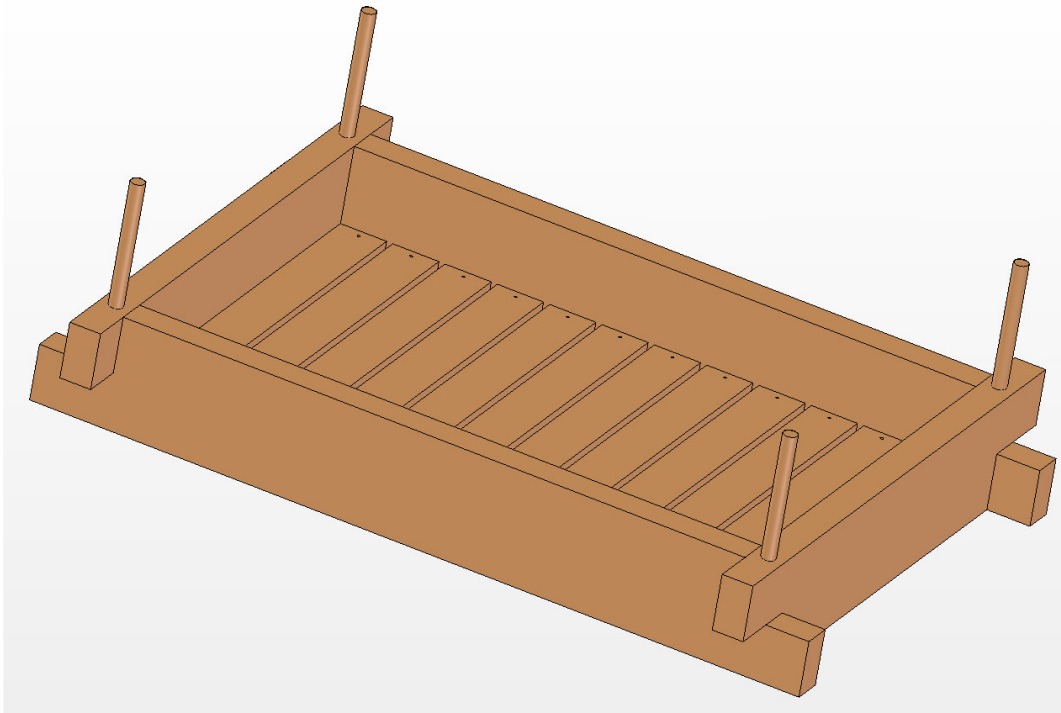
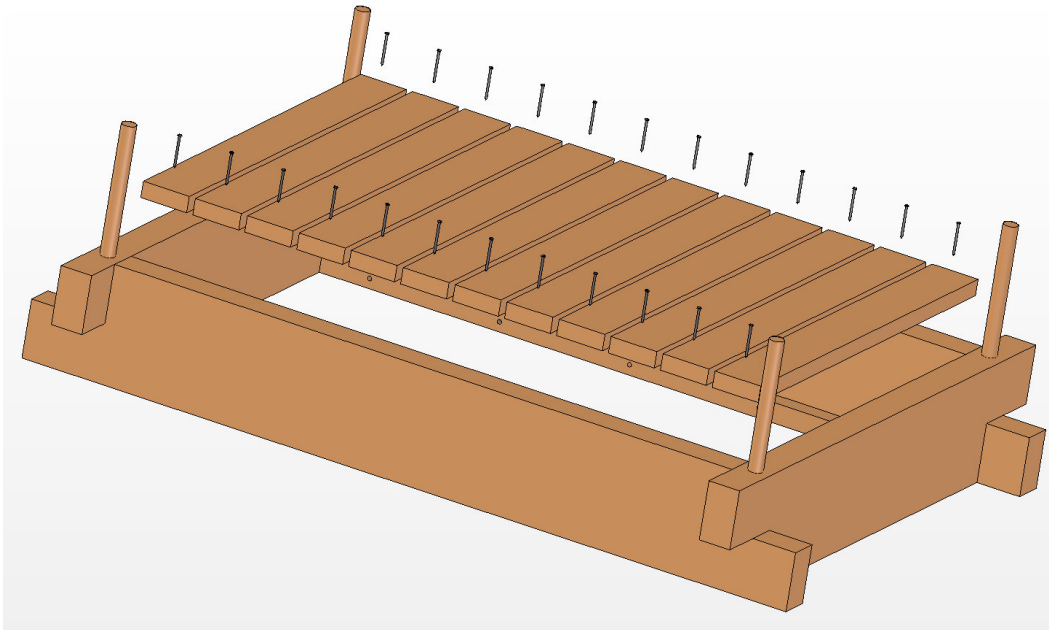
1. Put the Side Long (items 1) on the Side Short (items 2) and carefully hammer the Pin (items 6) through these items.



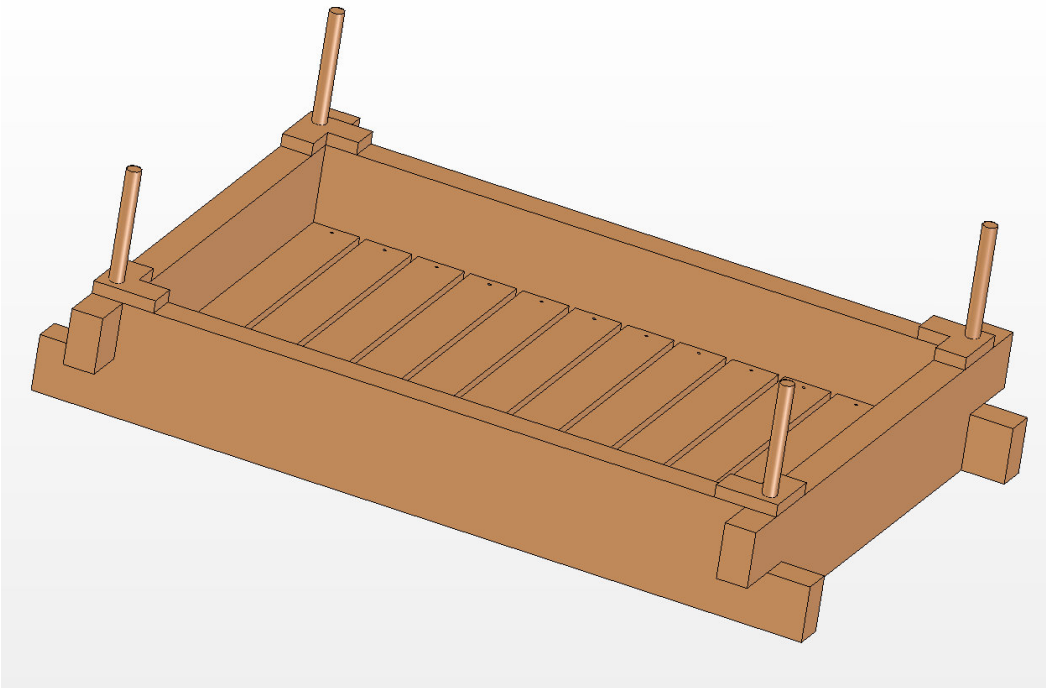
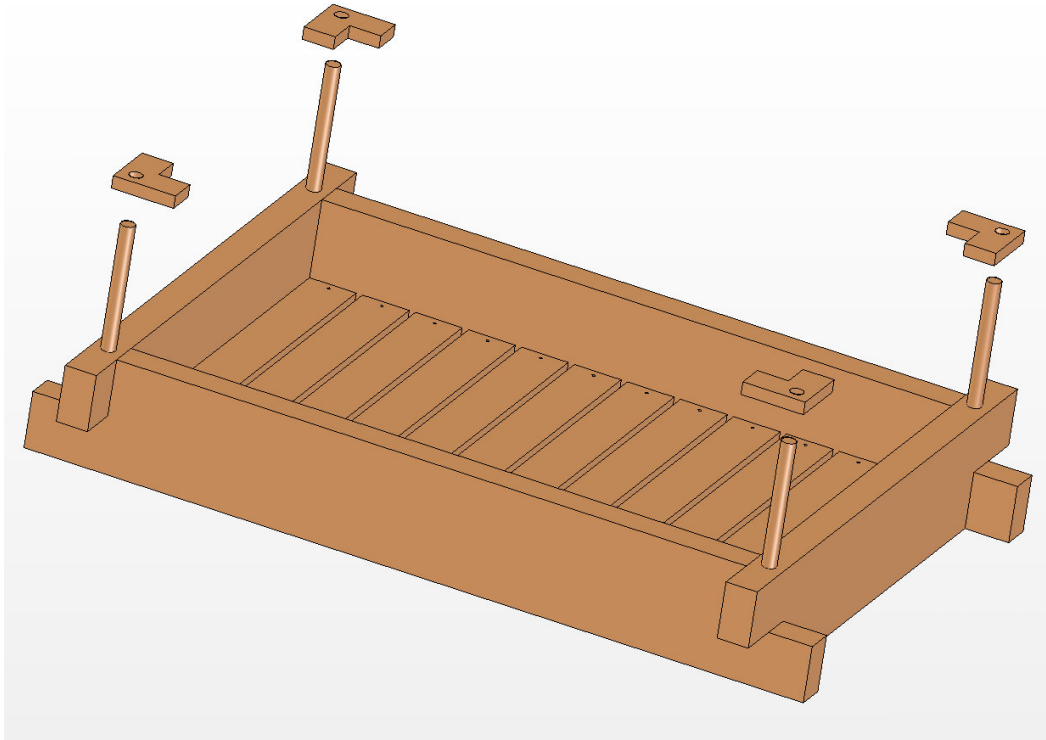
2. Fasten the Crossbar (items 4) to the assembly from the previous picture with Nail D3,1x70mm (items 7).



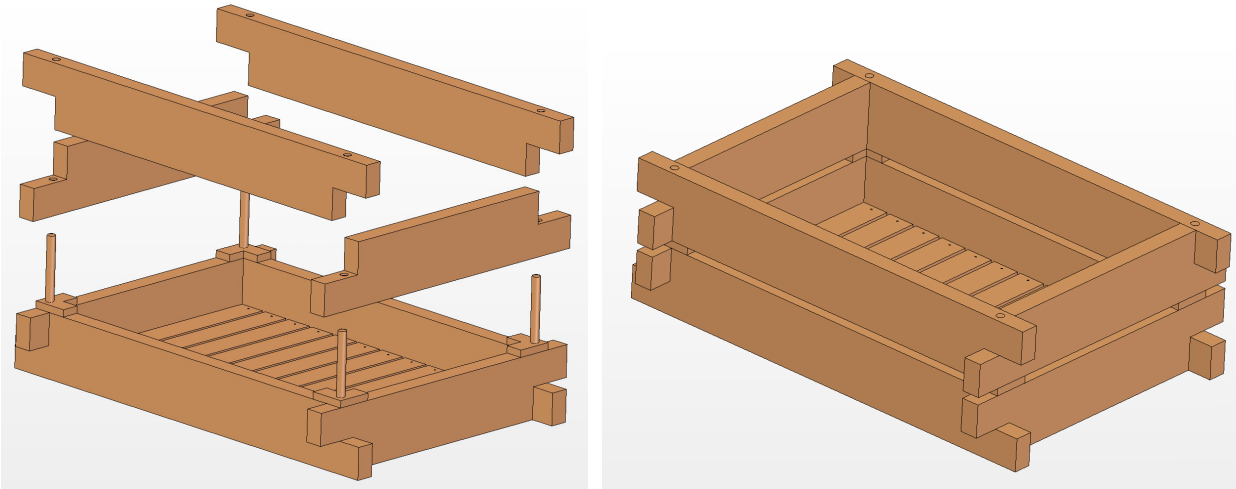
3. Fasten the Bottom Lath (items 5) to the assembly from the previous picture with Nail D2,2x50mm (items 8).



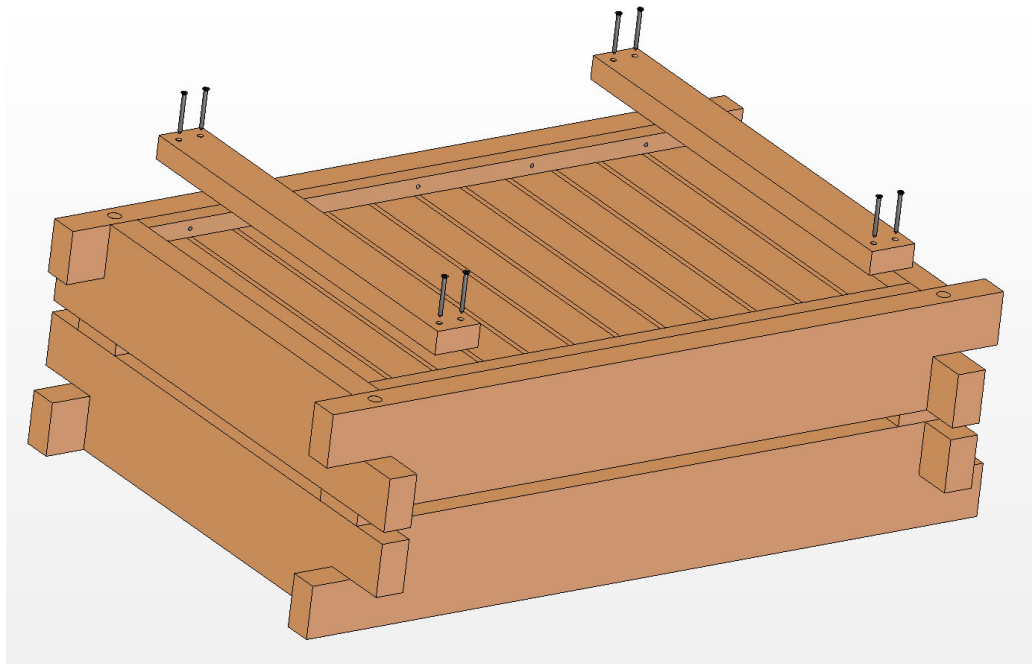
4. Attach the Delimiter (items 3) with glue to the assembly made in the previous step.

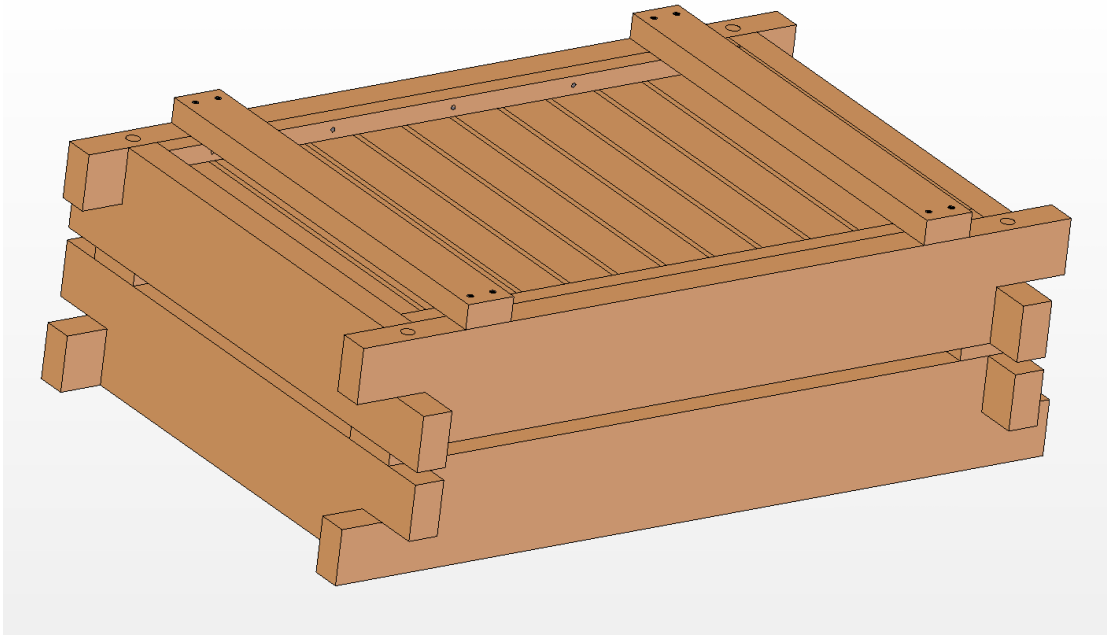


5. Tamp down the 4 remaining Side Long (items 1) and the Side Short (items 2) to the assembly made in the previous step.



6. Fasten the Leg (items 9) to the assembly made in the previous step by using Wood Screw D5x70mm (items 10).





Cover the inner side of a planter with plastic wrap. You should put a plastic wrap in planter in two or three layers, then fasten it with the broad headed nails. It the end, pierce a few holes at the bottom of a plastic wrap, so the excessive water can drain out.